

The FastScan Pro II variable-speed dome, is specially engineered with a high, variable speed pan/tilt (0.5°/s to 125°/s pan and 0.5°/s to 60°/s tilt) to position cameras quickly. Since the optically correct dome allows viewing in all directions through 360° continuous scanning, the total number of necessary cameras can be reduced.

Each FastScan Pro II employs a high sensitivity, 1/4" color CCD camera with 470 TVL of horizontal resolution for sharp, high definition color images. A built-in 12X optical (4.0 to 48mm) plus 4X digital (48 to 192mm) motorized zoom lens provides the desired viewing angle as well as offers a unique auto-focus feature.

All dome versions are designed to blend in with facility aesthetics while providing discreet camera surveillance. The drop-ceiling, hard-ceiling and indoor-pendant versions have a smoked or clear lower dome with liner.

These domes are easily operated by a desktop, RS-422 joystick controller with unique 3-axis proportional direction of pan/tilt/zoom functions. The controller sends its signals to a receiver/driver integrated into the pan/tilt. Up to 10 domes stretching a maximum distance of 4000' can be controlled using a single link. Systems can be expanded for video and data control of up to 128 domes using the CATS series video matrix system.



FEATURES

- 9" hard, drop-ceiling or pendant dome
- Integrated variable speed pan/tilt - 125°/s pan and 60°/s tilt
- Integrated RS-422 receiver/driver
- Integrated high resolution color camera with 48X, zoom lens w/auto focus
- 470 TVL horizontal resolution
- 2 Lux minimum scene illumination
- Can be used with SmartScan systems
- Uses proportional 3-axis joystick controller
- Up to 128 domes using the CATS series video matrix system and peripherals
- Blends in with surrounding aesthetics with smoked or clear dome with liner options
- Quick and easy override from auto focus to manual operation
- 1-year factory warranty



FASTSCAN PRO II

TECHNICAL SPECIFICATIONS

MODELS

FastScan Pro II 9" drop, hard-ceiling or pendant mount with high resolution auto-focus 1/4" CCD camera and 48x (12 optical with 4x digital) zoom lens with auto-focus. It also includes an integrated 125/s variable speed, 360° rotation pan/tilt with RS-422 receiver/driver, surge suppression. Available with smoked or clear lower dome with liner.

ELECTRICAL (DOME)

Input Voltage-Scan	24V ac ± 10%, 60Hz ± 1%
Input Voltage-Heater	115V ac ± 10%, 60Hz ± 1%
Power Consumption	30W (24V ac)
Power Transformer	120V ac, 60Hz to 24V ac @ 40 VA
Max. Camera Power	8W (12V dc or 24V ac)
Communications	RS-422, twisted pair, shielded
Max. Comm. Dist.	4000 ft. between controller and last dome in link, max. 10 domes per link

MECHANICAL (DOME)

Angular Travel:	
Horizontal	360° continuous sealed slip ring design
Vertical	0° horizontal to 90° down
Speed:	
Pan	Continuously variable 0.5° to 125° per second
Tilt	Continuously variable 0.5° to 60° per second
Braking Dynamic	accuracy ±1/2°
Drive Motors	19V dc servo type
Camera Mounting	Adjustable camera sled connected to pan/tilt yoke
Max. Camera/Lens:	
Length	Camera lens provided
Weight	5 lbs (2.2kg)
Cable Entry:	
Pendant	Nipple at top of upper dome
Cable Connection:	
Pendant	Pigtail through nipple at top of upper dome
Construction:	
Pendant	Optically graded, cell cast acrylic
Finish:	
Upper Dome:	
Drop Ceiling	Black, epoxy powder-coated back box
Pendant	Smoked, black inner coating
Lower Dome:	
Drop Ceiling	Smoked, clear with liner
Pendant	Smoked, clear with liner
Dimensions	See drawings
Weight	10 lbs (4.54 kg.) less camera and lens

GENERAL (DOME)

Optical Losses	Smoked - equivalent F-stop 1.0 filtration neutral density (no color distortion)
Resolution	Passes full camera resolution with 200mm focal length lens
Environment	Outdoor

Design and specifications are subject to change without notice.

RECOMMENDED CONTROL EQUIPMENT

JAD-832 Hand held joystick controller for pan/tilt/zoom control. Focus and iris on separate toggle switch. The JAD-832 can operate CATS Series matrix switchers for both video & data between JAD-832 controller or control interface and last dome in link. Up to 10 domes per link.

JPD-100 RS-422, desktop 3-axis proportional controller for pan/tilt/zoom control, focus and iris on separate toggle switch. Also includes 8 quick keys for MultiCall functions. Operates SmartScan, VariScan, FastScan Pro II or SmartScan Pro II domes using SSI100 or CCU100 and DIA-01. Using the CCU100, it can control CATS video matrix switchers for both data and video control. A maximum of 4000' is possible between JPD-100 controller or control interface and last dome in link, up to 10 domes per link.

JPD-100P Same as above except operates using MSI100.

JPD-101 Stand alone version of JPD-100, can control SmartScan, VariScan, FastScan Pro II or SmartScan Pro II domes or CATS matrix switchers directly without using SSI100 or CCU100. Only requires DIA-01 or DIA-02.

DIA-01 Control Interface Adapter, provides 5V dc power and data interface for JAD-832, JPD-100 or JPD-101 joystick controllers.

DIA-02 Dual control Interface Adapter, provides 5V dc power and data interface for two JPD-101 joystick controllers.

KBD-100 Programming keyboard to provide full programming capabilities.

CCU100 Central Control Unit for JPD-100, supports up to 3 joystick telemetry inputs. When used with the AIU100, it will control alarms for video switching, video recording, PreShot positioning and VectorScans.

AIU100 Alarm Interface Unit with 32 N/O or N/C contact inputs. Must be used in conjunction with the CCU100. Can be expanded to 255 alarm contacts by connecting up to eight AIU100's to the CCU100.

MSI100 Medium System Interface for the JPD-100P to control up to 32 SmartScan, VariScan, FastScan Pro II or SmartScan Pro II domes. Includes 32 input x 4 output video switcher, 32 alarm inputs, 2 auxiliary contact outputs, 4 control ports and 4 dome data ports.

SSI100 Small System Interface for the JPD-100 to control up to 8 SmartScan, FastScan Pro II, SmartScan Pro II or VariScan domes. Includes 8 input x 2 output video switcher, 12 alarm inputs and 2 auxiliary contact outputs.

CATS CATS video matrix switchers are available in configurations from 8 inputs with 2 outputs to 128 inputs with 16 outputs. Optional features include on-screen titles, looping or terminating inputs, desktop or rack-mount versions, relay outputs and alarm interface for automatic call-up with CCU100 and AIU100. The CATS video matrix switchers are fully compatible with the JPD-100 or JPD-101 joystick controllers.

COE08 The COE, code expander units, are used to expand the number of SmartScan, VariScan, FastScan Pro II or SmartScan Pro II programmable domes or UltraDome V15 high speed domes directly controlled by the JPD-101 or expand the data outputs of the CATS video matrix switchers. The units are available in 8 channel desktop or rack-mount versions (also available in 16 output versions). Each channel is capable of supplying information to 10 units with a maximum of 4000' per data link.

MUX05 Joystick multiplexing unit which provides control expansion capability for up to five JAD-832 or JPD-101 controllers and 7 data link outputs. A maximum of 4000' is possible between the MUX05 and individual joystick controllers.

GENERAL (CAMERA/LENS)

Color Camera

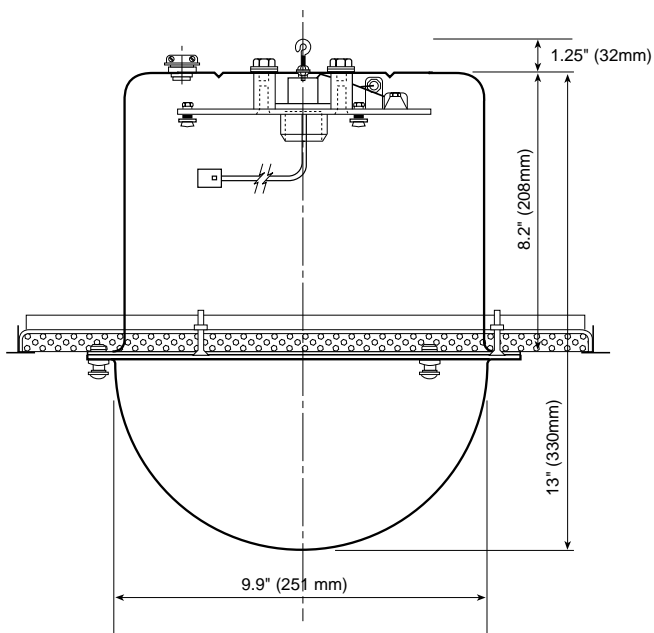
Ambient Temp.	32°F to 104°F (0°C to 40°C)
Operating Humidity	< 95% RH

MECHANICAL (CAMERA/LENS)

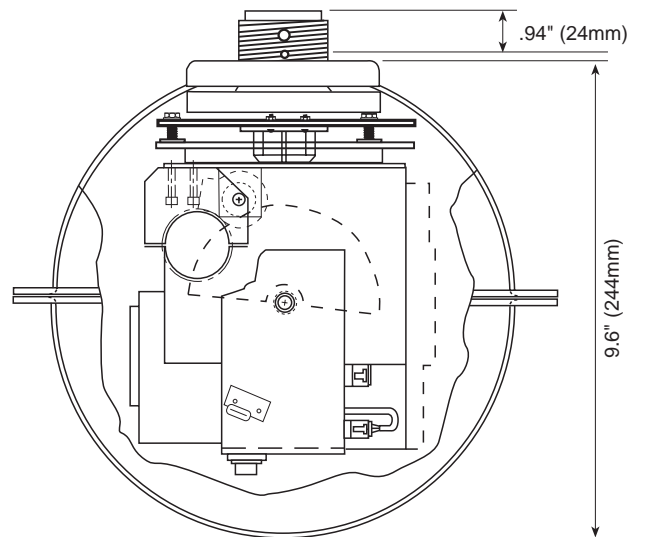
Color Camera

Weight	.25 kg (8.8 oz)
Dimensions	2.4"W x 2.2"H x 3.5"D (60mm x 55mm x 90mm)

FastScan Pro II (Drop Ceiling)



FastScan Pro II (Pendant)



FASTSCAN PRO II

TECHNICAL SPECIFICATIONS

ELECTRICAL (CAMERA/LENS)

Image Sensor	1/4" interline transfer CCD
Active Pixels	768H x 494V
Resolution	470 horizontal TV lines
Min. Scene Illum.	2.0 lux, F1.6
Signal-to-Noise	> 46db
AGC	Automatic
White Balance	Automatic
Backlight Comp.	Yes
Signal Format	NTSC (color), 525 lines
Video Output	1.0Vp-p, negative sync, 75 Ohms, unbalanced (BNC)
Power Requirements	12V dc
Power Consumption	< 3W
Lens	12X optical (4.0 to 48mm) plus 4X digital (48 to 192mm) motorized zoom lens, auto/manual focus control

CONFIGURATION OPTIONS

Step 1:	Tops
KD-DD09TD00	9" drop-ceiling dome top with mount & power supply
KD-DD09TH00	9" hard-ceiling dome top with mount & power supply
KD-DD09TPS0	9" pendant smoked dome top with mount & power supply
KD-DD09TP0W	9" pendant white top with mount & power supply

Step 2:	Yokes
KD-DC09D650	FastScan Pro II drop- and hard-ceiling yoke
KD-D1C9P650	FastScan Pro II yoke assembly for 9" indoor & outdoor pendant dome

Step 3:	Bottoms
KD-DD09B0S0	9" smoked dome bottom for indoor applications
KD-DD09B0T0	9" clear dome bottom for indoor applications
KD-DD09B0TL	9" clear dome bottom with inner liner, for indoor applications

Step 4:	Power Supplies
KD-TR24/D	Plug-in style power supply for SmartScan Pro II and FastScan Pro II yokes. Two required for yokes with heater & blower assemblies.

CONFIGURATION OPTIONS (CON'T)

Step 5:	Indoor Wall Mounts
UL-DWM-CR	Wall mount, chrome
UL-DWM-W	Wall mount, white

	Indoor Pendant Mounts
UL-DPM-CR/1	Pendant mount, 1 ft. in length, chrome finish
UL-DPM-CR/2	Pendant mount, 2 ft. in length, chrome finish
UL-DPM-CR/4	Pendant mount, 4 ft. in length, chrome finish
UL-DPM-CR/8	Pendant mount, 8 ft. in length, chrome finish
UL-DPM-W/1	Pendant mount, 1 ft. in length, white finish
UL-DPM-W/2	Pendant mount, 2 ft. in length, white finish
UL-DPM-W/4	Pendant mount, 4 ft. in length, white finish
UL-DPM-W/8	Pendant mount, 8 ft. in length, white finish

Design and specifications are subject to change without notice.

Ultrak Corporate Headquarters and Eastern Regional Office:

1301 Waters Ridge Drive
Lewisville, TX 75057
(800)796-2288 (972)353-6400 Fax (972)353-6670

Ultrak Western Regional Office:

6252 West 91st Avenue
Westminster, CO 80030
(800)846-8884 (303)428-9480 Fax (303)429-6609

