

9" STATIONARY DOME SERIES

KD9 Series

The KD9 Stationary Dome Series is used for fixed camera applications requiring a dome environment. All mounting hardware is provided with this dome, including the fixed-camera mount. Drop ceiling versions include 1' x 2' false ceiling adapter and plenum back boxes. Pendant versions have optional wall and pendant mounts of varying lengths.



KD9-DCS

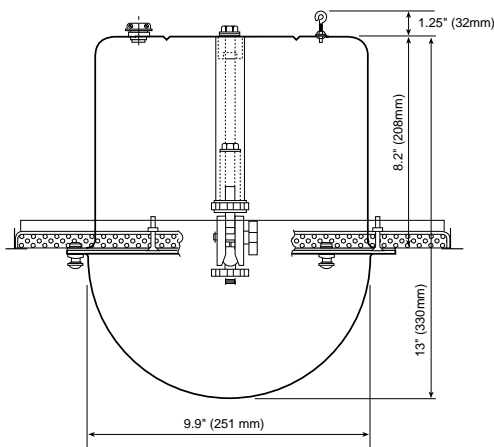
All dome versions are designed to blend in with facility aesthetics while providing discreet camera surveillance. The hard-ceiling, drop-ceiling and indoor pendant versions have smoked or transparent options.

Each dome is easily serviced with its quick release lower dome, which is attached by a safety wire support.

FEATURES

- 9" drop-ceiling, hard-ceiling and indoor pendant mounts
- Blends in with surrounding aesthetics with smoked or transparent lower domes
- Wall and pendant mounts in chrome or white
- Simple installation and maintenance
- Fixed-camera mount included
- 1-year factory warranty

KD9 Top Hat



KD9 Series

TECHNICAL SPECIFICATIONS

MODELS

Drop Ceiling	9" stationary drop-ceiling dome with 1' x 2' false-ceiling adapter, includes fixed camera mount.
Hard Ceiling	Same as drop ceiling except without 1' x 2' false-ceiling adapter.
Pendant	9" stationary pendant mount dome, includes fixed camera mount.

MECHANICAL (DOME)

Camera Mounting	Integrated fixed camera mount with mounting hardware
Max. Camera/Lens Length	6.5" in length for DCS 5.63" in length for PSS
Max Camera/Lens Weight	5 lbs (2.3kg)
Cable Entry:	
DCx	Hole with cable clamp at top of back box
HCx	Hole with cable clamp at top of back box
Pyx	Nipple at top of upper dome
Construction:	
Lower Dome	Optically graded acrylic
Finish:	
Lower Dome	Smoked or transparent
Dimensions	9" diameter dome
Weight	13 lbs (5.9 kg.) less camera and lens

GENERAL

Optical Losses:	
Smoked	Equivalent F-stop 1.0 ± 15%
Chrome	Equivalent F-stop 1.5 ± 15%
Gold	Equivalent F-stop 1.5 ± 15%
Filtration	Neutral density (no color distortion)
Environment	Indoor

RECOMMENDED CAMERAS

KC4300	B&W 1/3" CCD camera, 380 lines resolution
K-500	B&W 1/2" mini CCD camera, 380 lines of resolution
K-350CLL	1/3" color CCD camera, 330 lines of resolution

Design and specifications subject to change without notice.
Measurement conversions are approximate.

CONFIGURATION OPTIONS

Fixed - 9" Fixed Camera Domes (Diamond Series)

Step 1:	9" Fixed Tops
KD-DF09TD00	9" fixed-camera dome top, drop ceiling with adapter, plenum rated
KD-DF09TH00	9" fixed-camera dome top, hard ceiling, plenum rated configuration
KD-DF09TPS0	9" fixed-camera dome top, pendant mount; smoked top does not include mounting arrangements
KD-DF09TPW0	9" fixed-camera dome top, pendant mount; white top does not include mounting arrangements

Step 2:	9" Fixed Bottoms
KD-DD09B0S0	9" bottom dome, smoked
KD-DD09B0T0	9" bottom dome, clear

Step 3:	Indoor Wall Mounts
UL-DWM-CR	Wall mount, chrome
UL-DWM-W	Wall mount, white for pendant mount dome

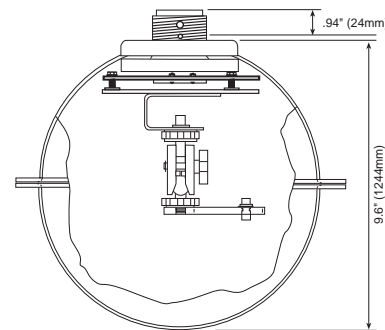
	Indoor Pendant Mounts
UL-DPM-CR/1	Pendant mount, 1' in length, chrome finish
UL-DPM-CR/2	Pendant mount, 2' in length, chrome finish
UL-DPM-CR/4	Pendant mount, 4' in length, chrome finish
UL-DPM-CR/8	Pendant mount, 8' in length, chrome finish
UL-DPM-W/1	Pendant mount, 1' in length, white finish
UL-DPM-W/2	Pendant mount, 2' in length, white finish
UL-DPM-W/4	Pendant mount, 4' in length, white finish
UL-DPM-W/8	Pendant mount, 8' in length, white finish

STEP 1: Specify 9" dome top. A fixed camera bracket is included with the dome top.

STEP 2: Specify 9" dome bottom.

STEP 3: Specify pendant mounting arrangement. Drop-ceiling domes are supplied with mounting adapter.

KD9 Pendant



Conversion: 1" = 25.4 mm
Measurement conversions are approximate

Ultrak Corporate Headquarters and Eastern Regional Office:

1301 Waters Ridge Drive
Lewisville, TX 75057
(800)796-2288 (972)353-6400 Fax (972)353-6670

Ultrak Western Regional Office:

6252 West 91st Avenue
Westminster, CO 80030
(800)846-8884 (303)428-9480 Fax (303)429-6609

