

WIRELESS OBSERVATION SYSTEM

KO-4050TRS

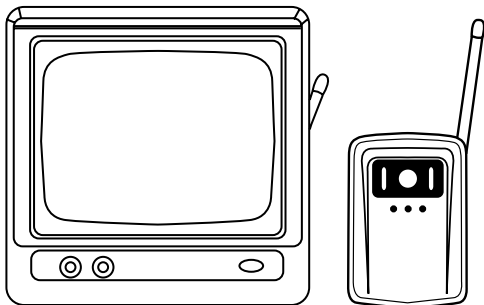
The KO-4050TRS or ObserVision™ system is a wireless observation system based on the latest audio/video technology. The ObserVision consists of a compact 1/3" black-and-white CCD camera and a 5.5" lightweight monitor. The camera transmits audio and video signals to the monitor at a frequency of 900 MHz.

The camera has a built-in extremely sensitive microphone, a wide-angle lens and infrared illuminator which offer viewing in the dark. The lightweight monitor can be carried from room to room or outside, allowing for unique flexibility, and can be connected to a VCR for recording purposes.

The ObserVision wireless system is ideal for the monitoring of visitors and customers in small businesses and convenience stores, or for the monitoring of children or the elderly at home.



KO-4050TRS



FEATURES

- 1/3" CCD camera
- 5.5" B&W monitor
- 4.3mm fixed focus wide-angle lens
- Lightweight and portable
- Transmits up to 120 feet
- Transmits at 900 MHz
- Operates on 120V ac
- IR illuminator allows viewing in the dark
- Connects to VCR
- Mounting brackets and power supply included
- 1-year warranty

KO-4050TRS

TECHNICAL SPECIFICATIONS

MONITOR

ELECTRICAL

Signal Format	EIA standard, 2:1 interlaced
Resolution	400 lines, min. (at center)
Video Output	0.5~2.0 Vp-p (synchronous negative polarity)
Audio Output	600 Ohms, 300mVp-p
Audio Amp	0.5 Watts maximum
Speaker	8 Ohms
Receiver	Operating frequency: 902~928 MHz Sensitivity: -68dBm IF frequency: Video 45.75 MHz Audio 41.25 MHz Output signal: Video 1Vp-p Audio: 300 mVp-p
Power Adapter	Input: 120V ac, 60Hz, 30W Output: 15V dc, 1.2A
Power Consumption	18 Watts maximum

MECHANICAL

CRT Screen Size	5.5", 70°, 20mm tube neck
Front Controls	Volume: rotary knob Channel select: rotary knob
Output Connector	Video/audio (RJ-11-E)
Dimensions	Approx. 5.8W x 6.8H x 8.6D in.
Weight	Approx. 2 lbs 12 oz (1.25kg)

CAMERA

ELECTRICAL

Image Sensor	1/3" CCD
Viewing Angle of Lens	Horizontal: 59°, vertical: 46°
Signal Format	NTSC/EIA standard, 2:1 interlaced
Signal /Noise Ratio	46dB
Minimum Illumination	1.0 lux (with IR diodes) @ 3'
Resolution	350 TV lines
Video Output	1Vp-p composite @ 75 Ohms (synchronous negative polarity)
Microphone	Built-in condenser type
Transmitter	Operating frequency: 902~928 MHz Channel number: 2CH, selectable Output level: 50mV @ 3m Input signal: Video 1Vp-p Audio 300mVp-p
Power Adapter	Input: 120V ac, 60Hz, 8W Output: 15V dc, 250mA
Power Consumption	4.0 Watts maximum

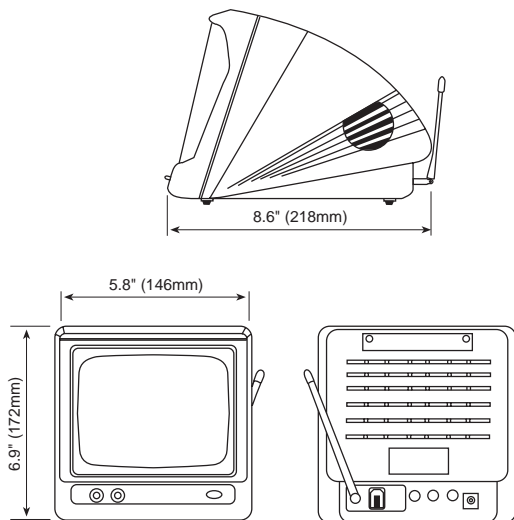
MECHANICAL

Lens	4.3mm, fixed focus
Dimensions	Approx. 3.1W x 4.8H x 2.6D in
Weight	Approx. 10.6 oz (300 g)

Design and specifications subject to change without notice.

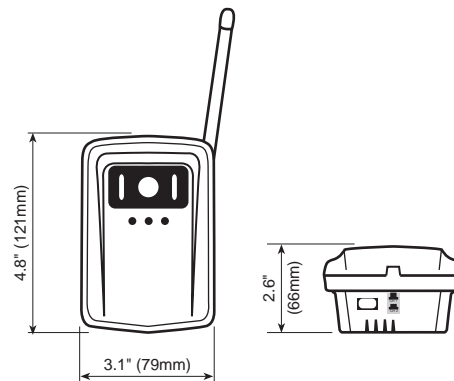
TM: ObserVision is a trademark of Ultrak, Inc.

KO-4050TRS MONITOR



Conversion: 1" = 25.4 mm
Measurement conversions are approximate

KO-4050TRS CAMERA



Ultrak Corporate Headquarters and Eastern Regional Office:

1301 Waters Ridge Drive
Lewisville, TX 75057
(800)796-2288 (972)353-6400 Fax (972)353-6670

Ultrak Western Regional Office:

6252 West 91st Avenue
Westminster, CO 80030
(800)846-8884 (303)428-9480 Fax (303)429-6609

