

14" BLACK-AND-WHITE REAL-TIME QUAD OBSERVATION SYSTEM

K06140Q

The KO6140Q is a 14" black-and-white real-time quad observation system geared towards small businesses with a need for low-cost CCTV security.

The KO6140Q includes a 14" black monitor with a built-in real-time quad processor, an observation camera (KC-3P), mount (KO-500) and a 60' cable (KO-60). The observation monitor will accept three additional KC-3P observation cameras. The monitor provides power to the camera via a cable with RJ-11-E connectors; video and audio are also transmitted via this cable. The KC-3P camera accepts both C- and CS-mount lenses (not provided with system).

The cameras can be viewed as a quad display or as individual full screen images. Alarming and audio inputs are provided via the RJ-11-E jacks. VCR connections can be made via the RJ-11-E jack, providing both audio and video for recording (using KO-750 cable, not provided).

Accessories include cable adapters, intercoms, camera housings and motion sensors.

System sold without lens.



FEATURES

- 14" B&W monitor with built-in quad (30 frames per second)
- > 800 lines of horizontal resolution
- Non-rolling sequential switching
- One-way audio from camera to monitor (2-way optional by adding KO-600A)
- Alarming inputs/output with variable dwell time
- Video-loss detection
- Automatic synchronization (quad mode only or with KC-3P cameras)
- Separate power switches for CRT and main unit
- Camera (KC-3P), 60' cable (KO-60), and camera mount (KO-500) included
- Rack mountable
- 2-year limited warranty

K06140Q

TECHNICAL SPECIFICATIONS

MONITOR WITH BUILT-IN QUAD

ELECTRICAL

Horizontal Resolution	> 700 lines at center
Signal Format	NTSC/EIA, 525 lines
Camera Inputs	NTSC 1.0Vp-p, 75 Ohms terminated (x4) (RJ-11-E)
Video Input (VCR)	NTSC 1.0Vp-p, 75 Ohms terminated (RJ-11-E)
Audio Input (VCR)	Line level (RJ-11E)
Video Output (VCR)	NTSC 1.0 Vp-p, 75 Ohms unbalanced (RJ-11-E)
Audio Output (VCR)	Line level (RJ-11-E)
Camera Sync	Internal/external (generated by monitor)
Camera Power Out	15V dc (x4 RJ-11-E)
Digital Video Memory	512 x 512 pixels, 256 x 256 pixels per quadrant
Refresh Rate	30 frames per second
Switching Time	1-60 seconds, adjustable
Alarm Inputs	Normally open (RJ-11-E)
Alarm Output	Dry contact, form C
Power Requirements	120V ac \pm 10%, 60Hz \pm 1%
Power Consumption	50W (120V ac) (with 4 cameras)

MECHANICAL

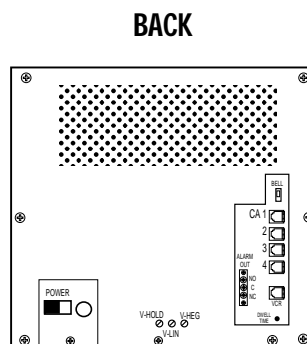
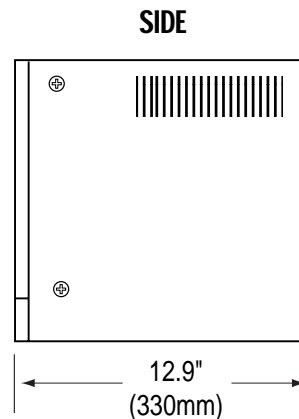
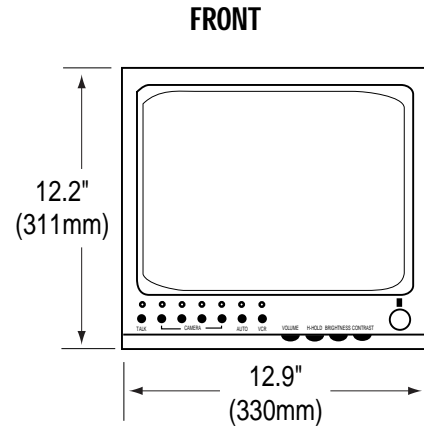
CRT Screen Size	14", 90° deflection angle
Camera Input Connector	4 x RJ-11-E camera power, Video & Audio In
R-F Switch	On/Off roll-free switch
VCR Connector	RJ-11-E: VCR in & out
Bell Switch	On/Off
Dimensions	13W x 12.2H x 13D in. (330W x 311H x 330D mm)
Weight	30 lbs (13.6kg)

GENERAL

Max. Dist. to Camera	360' (RJ-11-E) (1200' with line amp) KO-100
Ambient Temp.	14°F - 114°F (-10°C - 45°C)
Ambient Humidity	10% - 90% (non-condensing)

OPTIONS

KO-600C	Intercom station
KO-750	VCR interconnection cable
KO-760	RCA jack to BNC plug adapter (for security recorders)
KO-800	Passive infrared detector with 60' cable
KO-810	60' alarm input cable
KO-850	Door/window magnetic contact with 60' cable
KO-860	Dual alarm interface connector



KC-3P B&W OBSERVATION CAMERA

ELECTRICAL

Image Sensor	1/3" interline transfer CCD
Active Pixels	512H x 492V
Image Sensor Area	4.9H x 3.7V mm
Resolution	380 horizontal TV lines
Minimum Scene Illumination	0.2 lux (F1.2, 50% IRE)
S/N	> 46dB
Gamma Correction	0.45
AGC	Internal, automatic
Electronic Iris	Selectable, on/off
Sync System	Automatic sync. with KO-6140Q
Backlight Compensation	40% center of screen zone
Signal Format	NTSC, 525 lines, 2:1 interlace
Scanning Frequency	15.75kHz
Video Output	1.0Vp-p, negative sync., 75 Ohms, unbalanced (RJ-11-E) (BNC also for camera 1)
Audio Output	Line level (RJ-11-E)
Power Requirements	15V dc \pm 10% (RJ-11-E)
Power Consumption	3W (15V dc)

MECHANICAL

Lens Mount	C/CS mount (C-mount adapter included)
Camera Mount	1/4" - 20 UNC x 2 (top/bottom)
Cable	PVC 60' with RJ-11-E connectors
Mount	Steel, fully adjustable head, 8" x 5" wall, ceiling or pedestal use
Accessories	Screws and cable ties
Dimensions	2.3W x 2.0H x 5.1D in. (58W x 51H x 132D mm)
Weight	1 lb (2.2kg)

GENERAL

Max. Distance to Camera	360' (RJ-11-E) (further with line amp)
Ambient Temperature	14°F - 114°F (-10°C - 45°C)
Ambient Humidity	30% - 90% (non-condensing)

OTHER RECOMMENDED CAMERAS

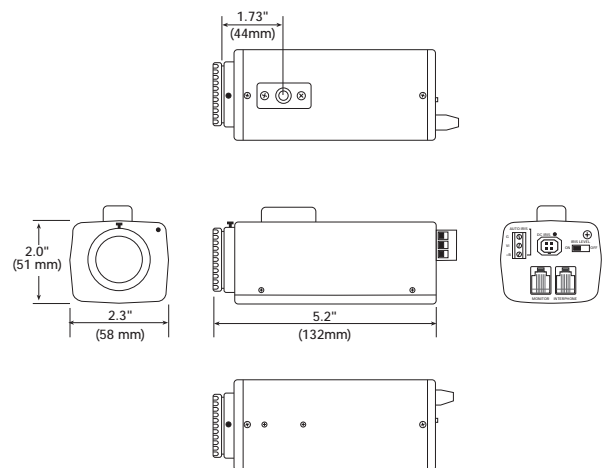
CVC1/2/3/4	Covert B&W cameras
-------------------	--------------------

Design and specifications are subject to change without notice.

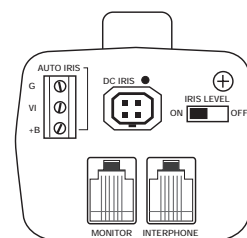
RECOMMENDED CAMERA HOUSINGS

HEM10/HEM12 Series	Medium, epoxy powder-coated, indoor/outdoor enclosures for 1/2" or 1/3" cameras with fixed focal length lenses or small zoom lenses
HEB10/HEB12 Series	Big, epoxy powder-coated, indoor/outdoor enclosures for 1/2" or 1/3" cameras with fixed focal length lenses or standard zoom lenses
HEG14 Series	Grand, epoxy powder-coated, indoor/outdoor enclosures for 2/3", 1/2" or 1/3" cameras with fixed focal length lenses or large zoom lenses
HOV10 Series	Internal cable channel, indoor/outdoor enclosures for 1/2" or 1/3" cameras with fixed focal length lenses
NCH10 Series	Injection molded, polymer based ABS plastic camera housings with extra strength and weather resistance for 1/2" or 1/3" CCD cameras with fixed focal length lenses.

Note: See individual data sheets for maximum camera/lens combinations.



BACK DETAIL



Conversion: 1" = 25.4 mm
Measurement conversions are approximate

Ultrak Corporate Headquarters and Eastern Regional Office:

1301 Waters Ridge Drive
Lewisville, TX 75057
(800)796-2288 (972)353-6400 Fax (972)353-6670

Ultrak Western Regional Office:

6252 West 91st Avenue
Westminster, CO 80030
(800)846-8884 (303)428-9480 Fax (303)429-6609

