

The SmartScan Pro II, Ultrak's programmable variable-speed dome series, is specially engineered with a high, variable speed pan/tilt (0.5°/s to 125°/s pan and 0.5°/s to 60°/s tilt) to quickly position cameras. Since the optically correct dome with 360° continuous scanning allows viewing in all directions, the total number of necessary cameras can be reduced.

Any camera can be directed to as many as 100 predefined viewing positions (PreShots) by a single keyboard command or external alarm. These positions can be given up to 16 character names to identify the area being viewed. Up to 64 PreShots can be linked to form a Video Guard Tour which can be executed upon command.

Each SmartScan Pro II employs a high sensitivity, 1/4" color CCD camera with 470 TVL of horizontal resolution for sharp, high definition color images. A built-in 12X optical (4.0 to 48mm) plus 4X digital (48 to 192mm) motorized zoom lens provides the desired viewing angle as well as offers a unique auto-focus feature.

All dome versions are designed to blend in with facility aesthetics while providing discreet camera surveillance. The drop-ceiling and indoor-pendant versions have a smoked or clear lower dome with liner.

These domes are easily operated by a desktop, RS-422 joystick controller with unique 3-axis proportional direction of pan/tilt/zoom functions. The controller sends its signals to a receiver/driver integrated into the pan/tilt. Up to 10 domes stretching a maximum distance of 4000' can be operated using a single link. Systems can be expanded for video and data control of up to 128 domes using the CATS series video matrix system.



FEATURES

- Programmable 9" drop-ceiling, hard-ceiling and indoor-pendant mount
- Integrated variable speed pan/tilt - 125°/s pan and 60°/s tilt
- Integrated RS-422 receiver/driver
- Integrated high-resolution color camera with 48X zoom lens and *auto-focus*
- 100 programmable PreShot positions with 16 character on-screen identification
- 10 Video Guard Tours
- 16 sector ID on-screen messages
- Uses proportional 3-axis joystick controller
- Up to 128 domes using the CATS series video matrix system and peripherals
- Blends in with surrounding aesthetics with a smoked or clear lower dome with liner options
- Quick and easy override from auto to manual operation
- 1-year factory warranty



SMARTSCAN PRO II

TECHNICAL SPECIFICATIONS

MODELS

Drop Ceiling 9" SmartScan Pro II drop ceiling dome with high resolution, auto focus 1/4" CCD color camera and built-in 12X optical (4.0 to 48mm) plus 4X digital (48 to 192mm) motorized zoom lens. It comes standard with 100 programmable PreShot positions, 10 guard tours and 16 sector ID's. It also includes an integrated 125'/s variable speed, 360° rotation pan/tilt with RS-422 receiver/driver, includes 2' x 2' adapter. This model has a smoked or clear lower dome with liner.

Pendant Mount Same as above except pendant mount.

ELECTRICAL (DOME)

Input Voltage	24V ac \pm 10%, 60Hz \pm 1%
Power Consumption	30W (24V ac)
Power Transformer	120V ac, 60Hz to 24V ac @ 40 VA
Max. Camera Power	8W (12V dc or 24V ac)
Communications	RS-422, twisted pair, shielded
Max. Comm. Dist.	4000' between controller and last dome in link, max. 10 domes per link

MECHANICAL (DOME)

Angular Travel:	
Horizontal	360° continuous sealed slip ring design
Vertical	0° horizontal to 90° down
Speed:	
Pan	Continuously variable 0.5' to 125'/ sec.
Tilt	Continuously variable 0.5' to 60'/ sec.
Braking Dynamic	\pm 1/2' accuracy
Drive Motors	19V dc servo type
Camera Mounting	Adjustable camera sled connected to pan/tilt yoke
Cable Entry:	
Drop Ceiling	Hole with cable clamp at top of back box
Pendant	Nipple at top of upper dome
Cable Connection:	
Drop Ceiling	Terminal strip at top of back box
Pendant	Pigtail through nipple at top of upper dome
Construction:	
Upper Dome	Drop ceiling plenum rated steel
Pendant	Optically graded, cell cast acrylic
Lower Dome	Optically graded acrylic
Finish:	
Upper Dome:	
Drop Ceiling	Black, epoxy powder-coated back box
Pendant	Smoked, black inner coating
Lower Dome:	
Drop Ceiling	Smoked, clear with liner
Pendant	Smoked, clear with liner
Dimensions	See drawings
Weight	13 lbs (5.9 kg.) less camera and lens

GENERAL (DOME)

Optical Losses	Smoked - equivalent F-stop 1.0 filtration neutral density (no color distortion)
Resolution	Passes full camera resolution with 200mm focal length lens
Environment	Indoor

ELECTRICAL (CAMERA/LENS)

Image Sensor	1/4" interline transfer CCD
Active Pixels	768H x 494V
Resolution	470 horizontal TV lines
Min. Scene Illum.	2.0 lux, F1.6
Signal-to-Noise	> 46db
AGC	Automatic
White Balance	Automatic
Backlight Comp.	Yes
Signal Format	NTSC (color), 525 lines
Video Output	1.0Vp-p, negative sync, 75 Ohms, unbalanced (BNC)
Power Requirements	12V dc
Power Consumption	< 3W
Lens	12X optical (4.0 to 48mm) plus 4X digital (48 to 192mm) motorized zoom lens, auto/manual focus control

MECHANICAL (CAMERA/LENS)

Dimensions	2.4W x 2.2H x 3.5D in (60W x 55H x 90D mm)
Weight	0.25 kg

GENERAL (CAMERA/LENS)

Ambient Temp.	32°F to 104°F (0°C to 40°C)
Ambient Humidity	0% to 95% (non-condensing)

RECOMMENDED PENDANT MOUNTS

DPM-CR/1 Chrome, indoor, pendant mount with flange, 1', 2', 4' and 8' lengths. Supports up to 16 lbs.

DWM-C Chrome, indoor, wall mount with flange, 15". Supports up to 15 lbs.

RECOMMENDED CONTROL EQUIPMENT

JPD-100 RS-422, desktop 3-axis proportional controller for pan/tilt/zoom control, focus and iris on separate toggle switch. Also includes 8 quick keys for MultiCall functions. Operates SmartScan or VariScan domes using SSI100 or CCU100 and DIA-01. Using CCU100, can control CATS video matrix switchers for both data and video control, maximum of 4000' between JPD-100 controller or control interface and last dome in link, up to 10 domes per link.

JPD-100P Same as above except operates with the MSI100.

JPD-101 Stand alone version of JPD-100, can control SmartScan or VariScan domes or CATS matrix switchers directly without using CCU100. Only requires DIA-01 or DIA-02.

DIA-01 Control interface adapter, provides 5V dc power and data interface for JPD-100 or JPD-101 joystick controllers.

DIA-02 Dual control interface adapter, provides 5V dc power and data interface for two JPD-101 joystick controllers.

KBD-100 Programming keyboard to provide full SmartScan programming capabilities including programming PreShots (predefined camera position), VectorScans (multiple PreShots linked together in a tour), and sector ID's.

CCU100 Central Control Unit for JPD-100, supports up to three joystick telemetry inputs. When used with the AIU100, it will control alarms for video switching, video recording, PreShot positioning and VectorScans.

AIU100 Alarm Interface Unit with 32 N/O or N/C contact inputs. Must be used in conjunction with the CCU100. Can be expanded to 255 alarm contacts by connecting up to eight AIU100's to the CCU100.

SSI100 Small system interface for the JPD-100 to control up to eight SmartScan or VariScan domes. Includes 8 input x 2 output video switcher, 12 alarm inputs and 2 auxiliary contact outputs.

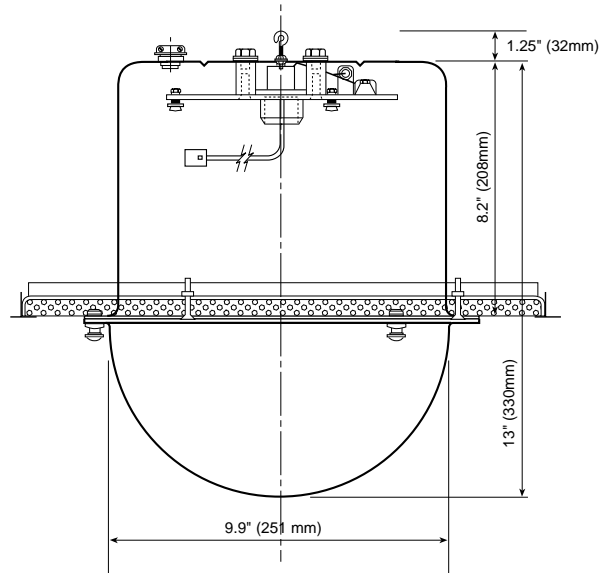
MSI100 Medium system interface for the JPD-100P to control up to 32 SmartScan or VariScan domes. Includes 32 input x 4 output video switcher, 32 alarm inputs, 2 auxiliary contact outputs, 4 controller ports & 4 dome control ports.

CATS Video matrix switchers are available in configurations from 8 inputs with 2 outputs to 128 inputs with 16 outputs. Optional features include on-screen titles, looping or terminating inputs, desktop or rack-mount versions, relay outputs and alarm interface for automatic call-up. The CATS video matrix switchers are fully compatible with the JPD-100 or JPD-101 joystick controllers.

COE08 The COE, code expander units, are used to expand the number of SmartScan or VariScan domes directly controlled by the JPD-101 or expand the data outputs of the CATS video matrix switchers. The units are available in 8 channel desktop or rack-mount versions. Each channel is capable of supplying information to 10 UltraDome V15 units with a maximum of 4000' per data link.

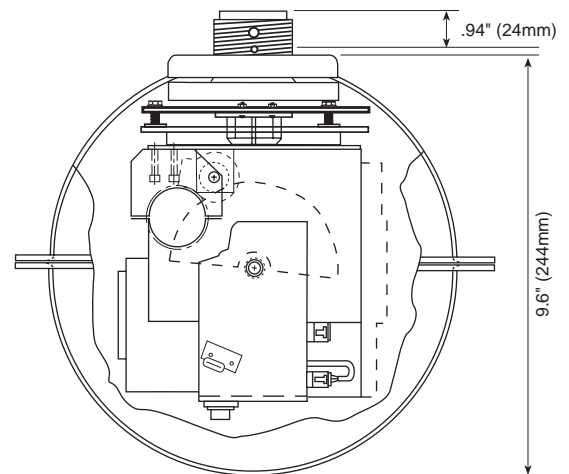
Design and specifications subject to change without notice.

SmartScan Pro II (Drop Ceiling)



Shown without pan/tilt

SmartScan Pro II (Pendant)



Conversion: 1" = 25.4mm
Measurement conversions are approximate

SMARTSCAN PRO II

CONFIGURATION OPTIONS

Step 1:	Dome Tops, Indoor
KD-DD09TD00	9" drop ceiling dome top with mount and power supply
KD-DD09TH00	9" hard ceiling dome top with mount and power supply
KD-DD09TPS0	9" pendant smoked dome top with mount and power supply

Step 2:	Dome Bottoms, Indoor
KD-DD09B0S0	9" smoked dome bottom
KD-DD09B0TL	9" clear dome bottom with inner liner

Step 3:	Yoke Assemblies (48x color) +B41
KD-DH09D650	Yoke for drop or hard ceiling dome
KD-DH09P650	SmartScan Pro II yoke assembly for pendant dome

Step 4:	Indoor Wall Mounts
UL-DWM-CR	Wall mount, chrome

	Indoor Pendant Mounts
UL-DPM-CR/1	Pendant mount, 1 ft. in length, chrome finish
UL-DPM-CR/2	Pendant mount, 2 ft. in length, chrome finish
UL-DPM-CR/4	Pendant mount, 4 ft. in length, chrome finish
UL-DPM-CR/8	Pendant mount, 8 ft. in length, chrome finish

STEP 1: Specify 9" dome top. A power supply comes included with the dome top.

STEP 2: Specify 9" dome bottom.

STEP 3: Specify SmartScan II yoke assembly. Pendant and drop ceiling yoke assemblies are different.

STEP 4: Specify pendant mounting arrangement. Drop ceiling domes are supplied with mounting adapter.

Ultrak Corporate Headquarters and Eastern Regional Office:

1301 Waters Ridge Drive
Lewisville, TX 75057
(800)796-2288 (972)353-6400 Fax (972)353-6670

Ultrak Western Regional Office:

6252 West 91st Avenue
Westminster, CO 80030
(800)846-8884 (303)428-9480 Fax (303)429-6609

